

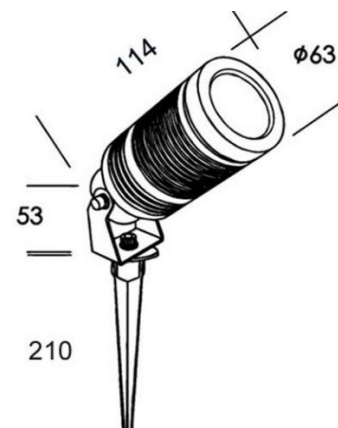
Descriptions

LED Garden Spot on pin

Technical Specifications

LED power(W)	10W
Mounting	ground pin
Lumen output (Lm)	950Lm
Lumen/Watt	95 lumen/W
CCT(K°)	3000K°
Beam angle (°)	15°
Power factor	> 0,9
CRI	Ra>90
IP factor	66
Inpute(Vac)	AC230V
Cable	0,5meter
LED type	CREE COB LED
House painting	Black powder alum.
Number of LEDs	1
Applications	Outdoor, Garden
Working Temperature	-25° +50°
Cable connector IP65	Inclusief
Warranty (years)	2
Dimmable	no
Dimensions H x dia. (mm)	114x63mm
Energy class	F
Packing/pc	1

10W	230V	3000K	CE
IP66	15°	DM	RoHS



01/2023

Also available in 6W:

Article no.

9501-006-3000

Durable – Delightfull – LED