

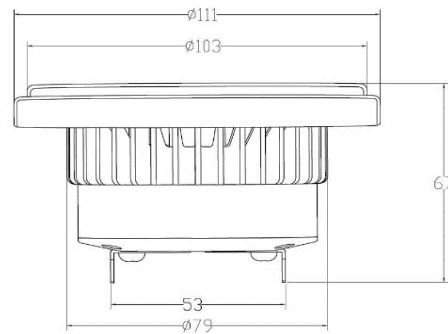
Description

LED AR111 - 15W - dimbaar - 2700K

15W	GU53	2700K	CE
IP20	15°	DIM	RoHS

Technical Specification

LED Power (W)	15
Mounting	GU53
Lumen output (Lm)	1000
Lumen/Watt	67
CCT (K)	2700
Beam Angel (°)	15
Power factor	0.99
CRI	>83
IP	20
AC Inpute (Vac)	230V
Energy Class	A+
LED chip	COB
LED Brand	Forepi Taiwan
Number of LEDs	2
Cable (cm)	28cm
Driver incl.	Yes
Driver intern/extern	extern
Warranty (Years)	3
Dimmable	Yes
Dimansions (mm)	111x67
Dimansions driver lxbxh (mm)	150x40x28
Lifetime (Hr)	40.000



11/2020

Also available in 30°

Durable – Delightfull – LED

