

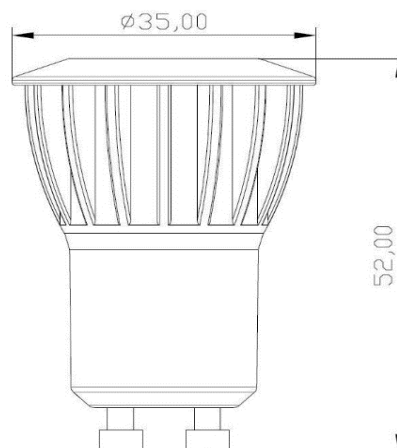
**Description**

**LED MR11 GU10-3W - 2700K**

3W	GU10	2700K	CE
IP20	25°	DIM	RoHS

**Technical Specifications**

LED poxer (W)	3
Fitting	GU10
Lumen output (Lm)	220
Lumen/Watt	74
CCT(K°)	2700
Beam Angel (°)	25
Power factor	0.9
CRI	>80
IP	20
Inpute (AC)	230V
Energy classe	A+
LED chip	COB
LED Brand	Forepi Taiwan
Number of LEDs	1
Cable	/
Driver incl.	Yes
Driver intern/extern	intern
Warranty	5
Dimmable	Yes
Dimensions (mm)	35x52
Life time (Hr)	30.000



02/2021

**Also available in:**

**2700K°**  
**3000K°**  
**4000K°**

**Article number**

**2210-003-2700**  
**2210-003-3000**  
**2210-003-4000**

*Durable – Delightfull – LED*